

# GROUND FLOOR PLAN OF NEW SCHOOL BUILDING

## SPECIFICATION--

**CLASS ROOM AREA = 396 Sft (each)**  
**PLINTH AREA = 1885.06 Sft**  
**ROOF AREA = 2061.72 Sft**

- i) Rack (CB) at 2'-6", 4'-0", 5'-6", 7'-0"
- ii) Black Board (BB) size = 8'-0" x 4'-0"
- iii) Plinth height = 2'-6"
- iv) Roof height = 10'-0"

### OPENINGS:-

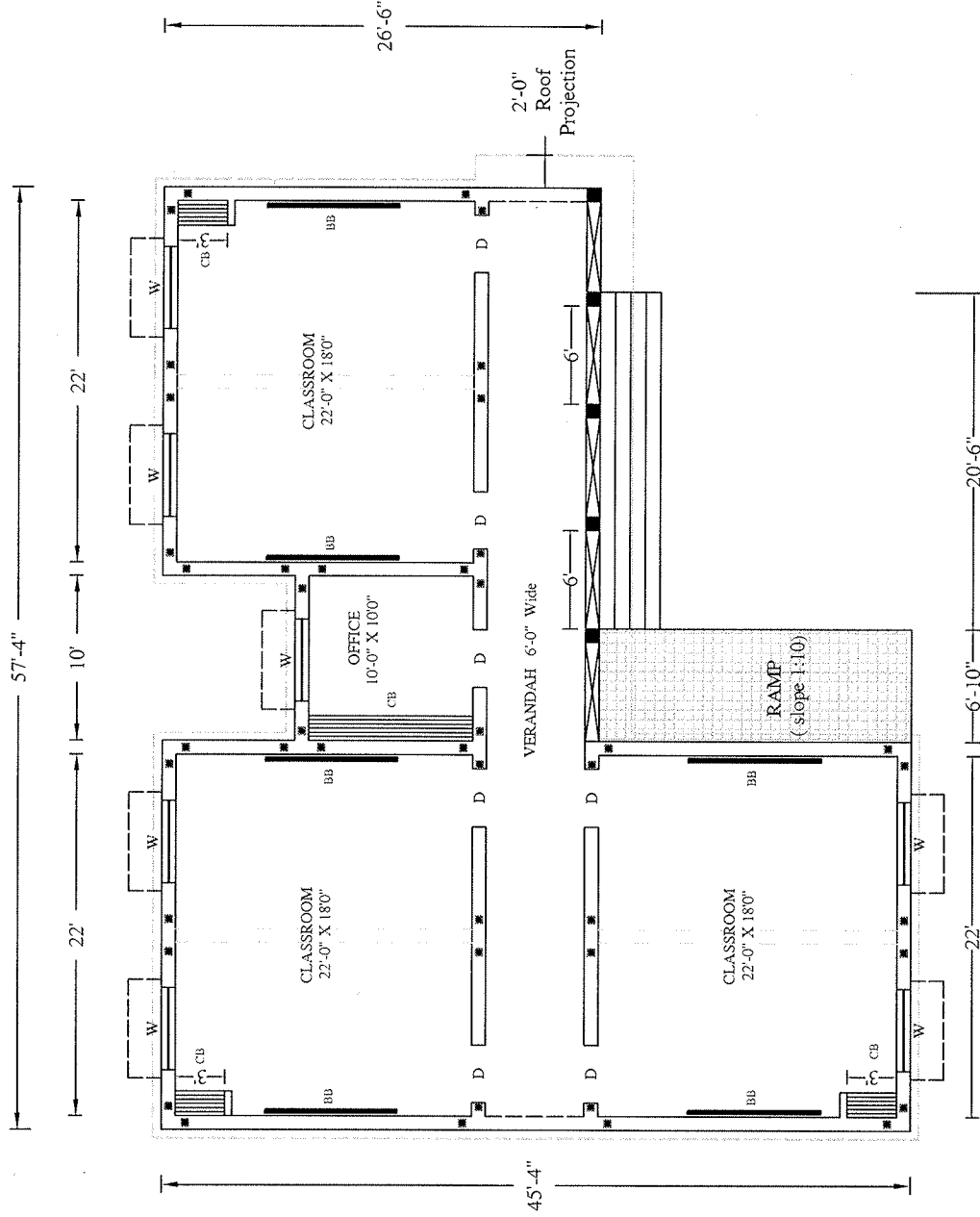
- i) Door (D) = 3'-6" x 7'-0"
- ii) Window (W) = 5'-0" x 5'-0"
- iii) Opening (O) = 6'-0" x 7'-0"
- iv) Arch (A) = 6'-0" x 5'-8"



Stiffener = 0'-10" x 0'-10"



Stiffener = 0'-3" x 0'-4"




## CONTINUOUS FOOTING FOUNDATION

DRAWING FOR CONSTRUCTION OF  
 NEW SCHOOL BUILDING (NSB) UNDER  
 BIHAR EDUCATION PROJECT COUNCIL

DRAWING SHEET NO :- 1

SCALE :- N T S

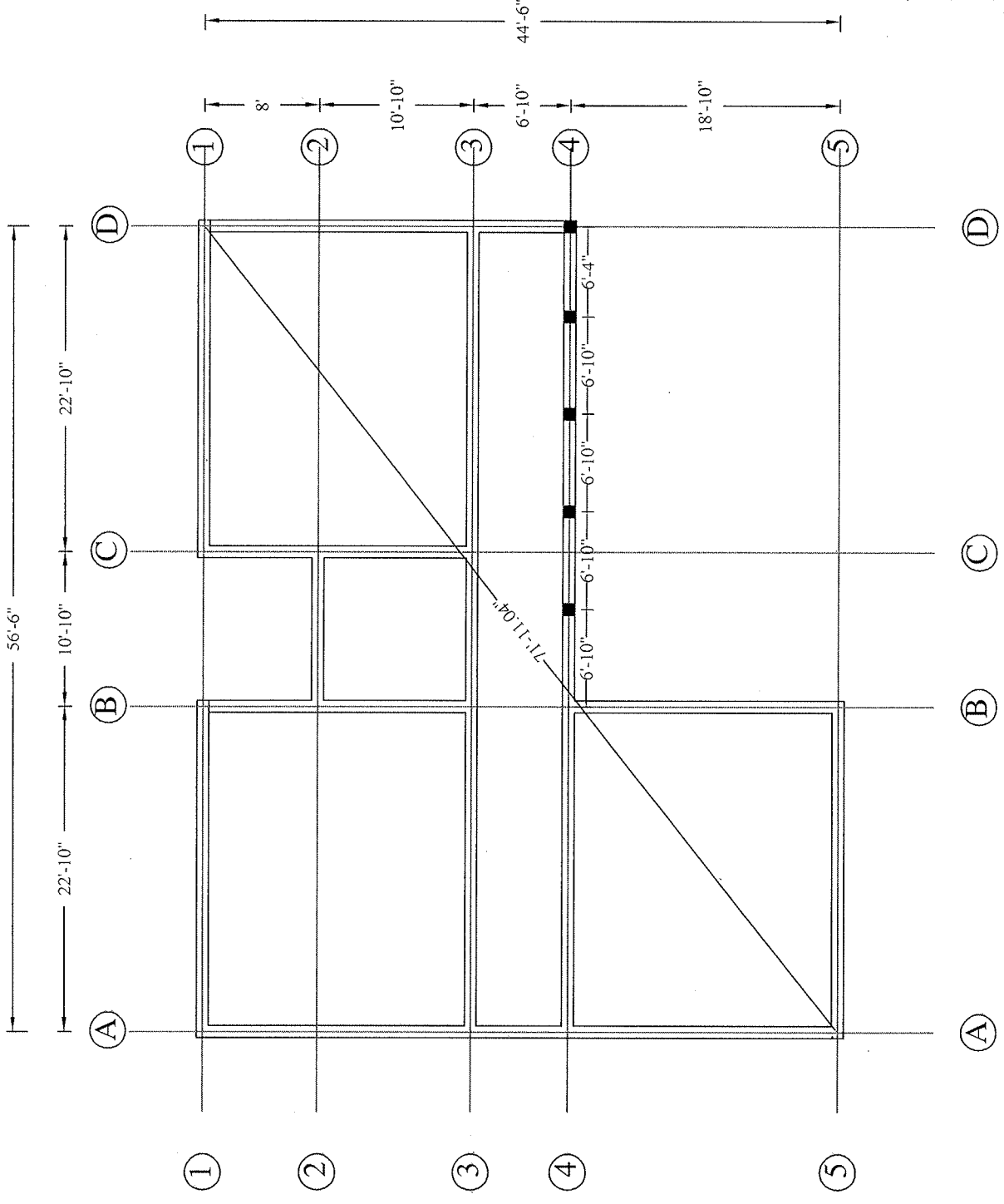
  
 JE  
 BEPC PATNA

EE  
 BEPC PATNA

C.W.M  
 BEPC PATNA

272  
 244

# LAYOUT PLAN OF NEW SCHOOL BUILDING



**CONTINUOUS  
FOOTING  
FOUNDATION**

DRAWING FOR CONSTRUCTION OF  
NEW SCHOOL BUILDING (NSB) UNDER  
BIHAR EDUCATION PROJECT COUNCIL

DRAWING SHEET NO :- 2

SCALE :- N T S

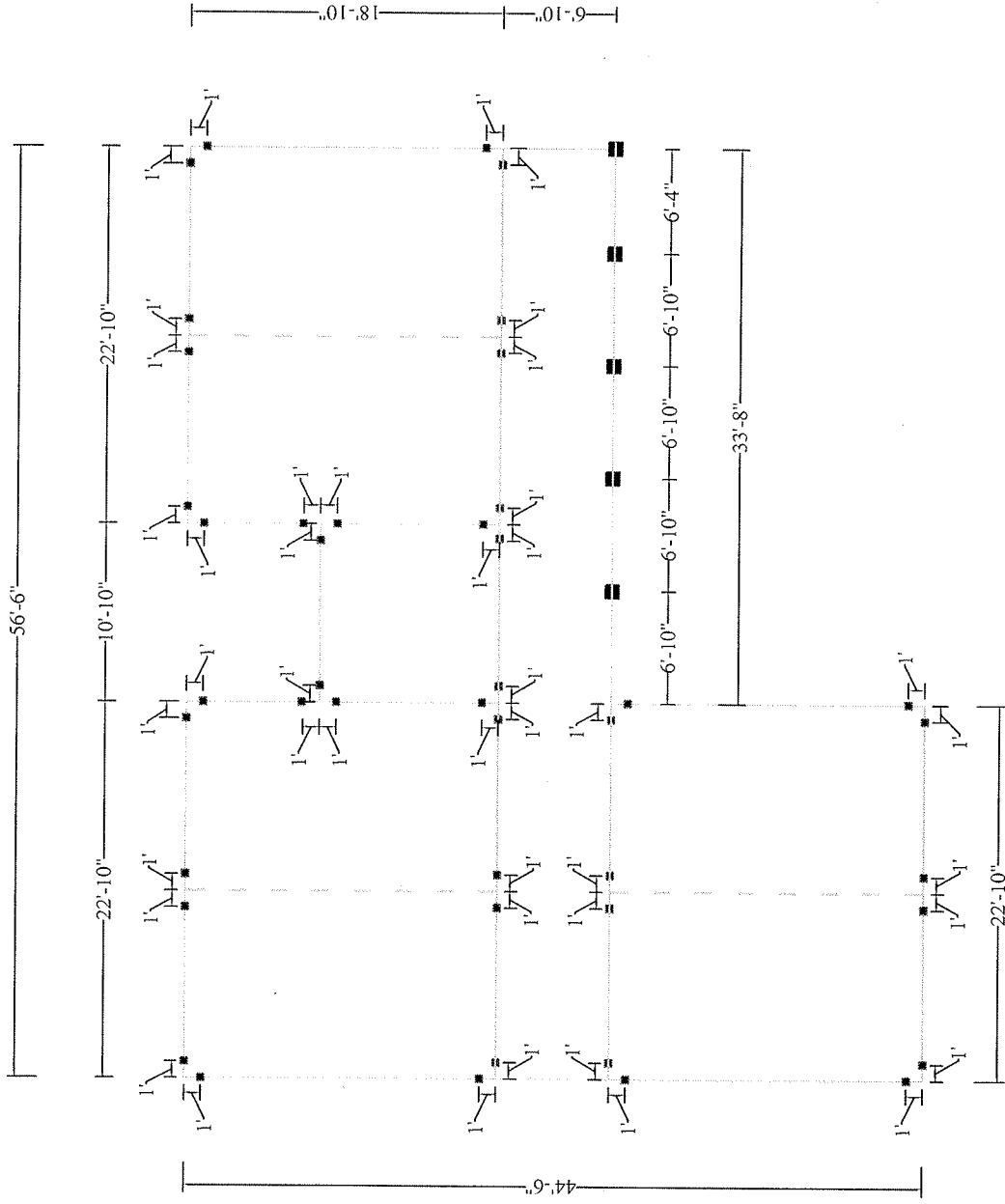
*Signature*  
JE  
BEPC PATNA

EE  
BEPC PATNA

C.W.M  
BEPC PATNA

340  
(32)

# CENTER LINE PLAN AND STIFFENER OF NEW SCHOOL BUILDING



**SPECIFICATION--**

**CLASS ROOM AREA = 396 Sft (each)**  
**PLINTH AREA = 1885.06 Sft**  
**ROOF AREA = 2061.72 Sft**



Stiffener = 0'-10" x 0'-10"



Stiffener = 0'-3" x 0'-4"

## CONTINUOUS FOOTING FOUNDATION

DRAWING FOR CONSTRUCTION OF  
 NEW SCHOOL BUILDING (NSB) UNDER  
 BIHAR EDUCATION PROJECT COUNCIL

DRAWING SHEET NO :- 3

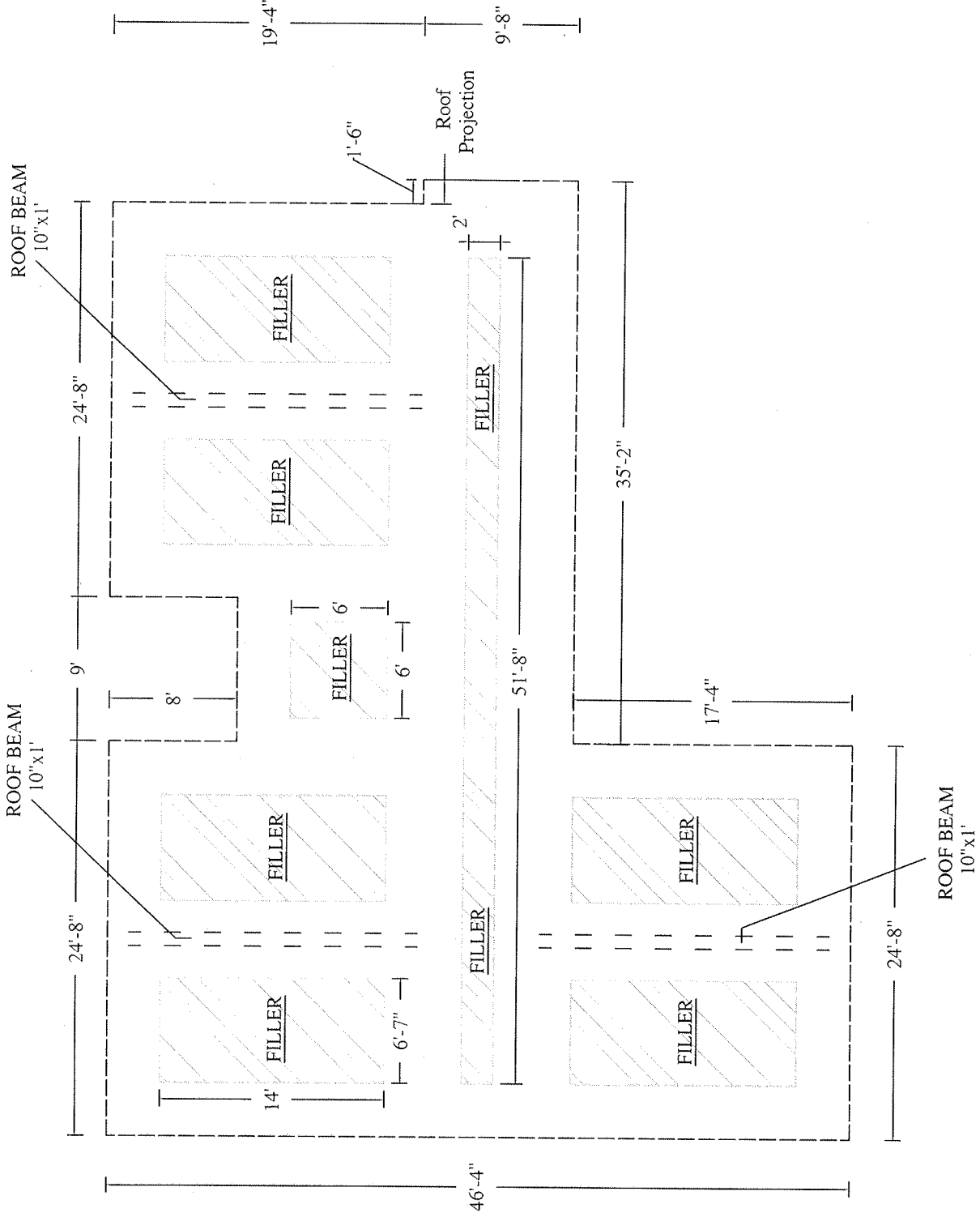
SCALE :- N T S

*Signature*  
 JE  
 BEPC PATNA

EE  
 BEPC PATNA

C.W.M  
 BEPC PATNA

228  
 229



ROOF AREA = 2061.72 Sft

FILLER SLAB

ROOF BEAM

DRAWING FOR CONSTRUCTION OF  
NEW SCHOOL BUILDING (NSB) UNDER  
BIHAR EDUCATION PROJECT COUNCIL

DRAWING SHEET NO :- 4  
SCALE :- N T S

*[Signature]*

JE

BEPC PATNA

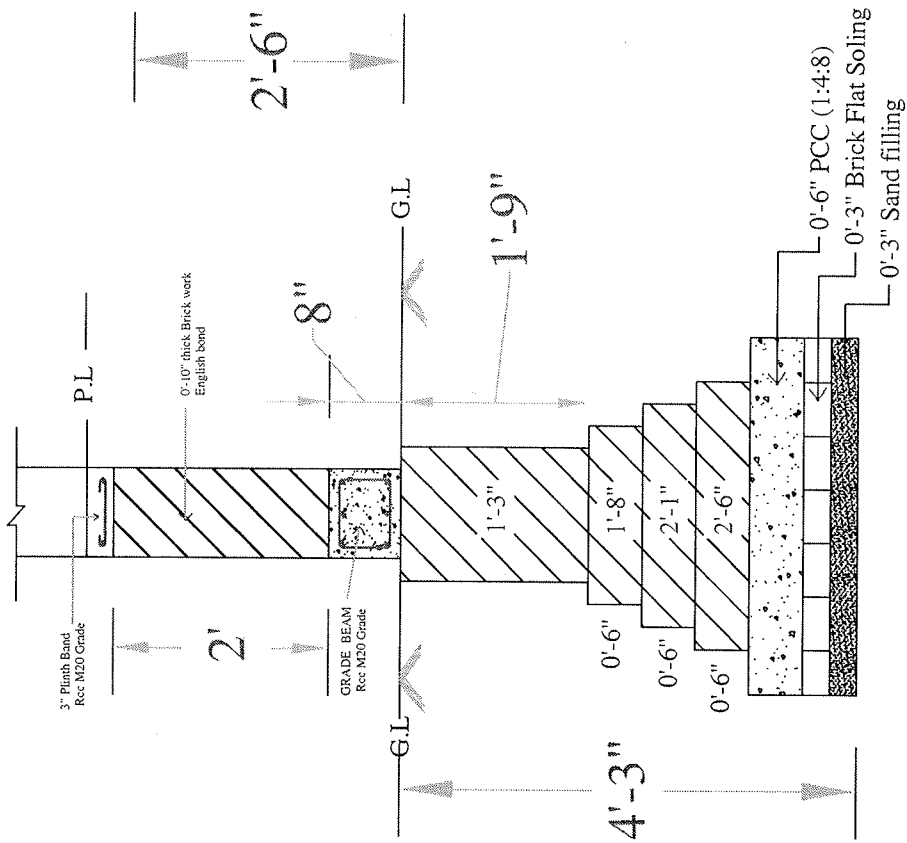
EE

BEPC PATNA

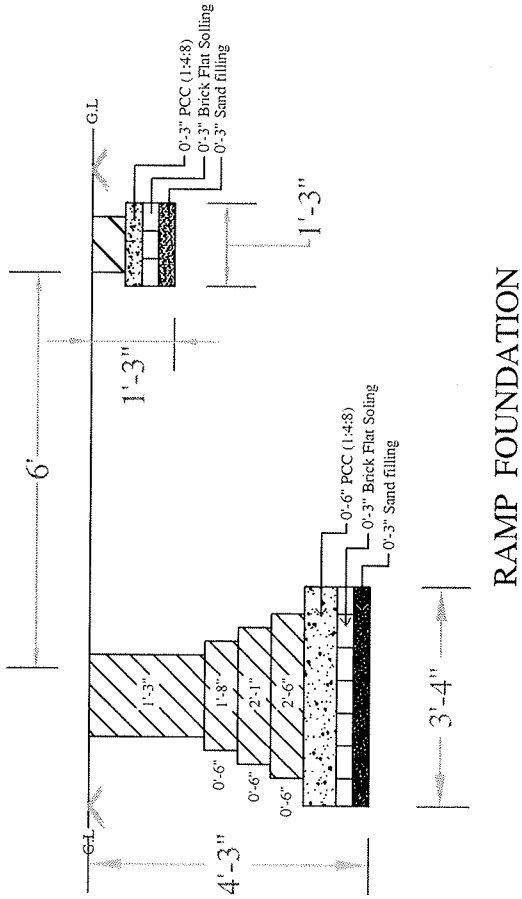
*[Handwritten Signature]*

C.W.M

BEPC PATNA



## CONTINUOUS FOOTING FOUNDATION



DRAWING FOR CONSTRUCTION OF  
NEW SCHOOL BUILDING (NSB) UNDER  
BIHAR EDUCATION PROJECT COUNCIL

DRAWING SHEET NO :- 5  
SCALE :- N T S

JE  
BEPCCPATNA

*Signature*

EE  
BEPCCPATNA

C.W.M  
BEPCCPATNA

337  
268

2022

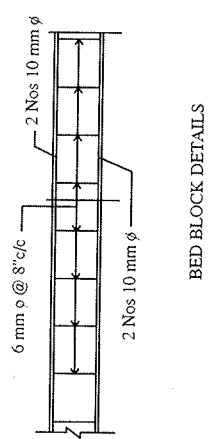
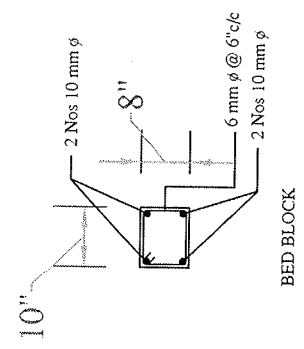
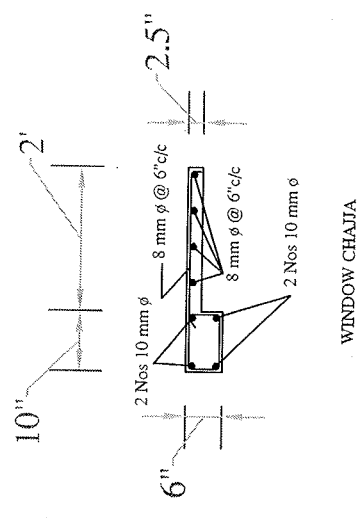
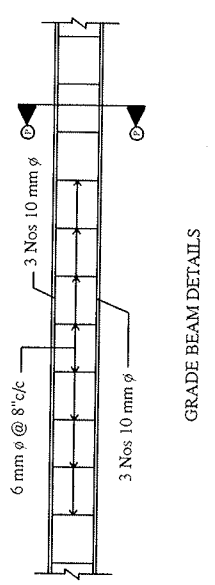
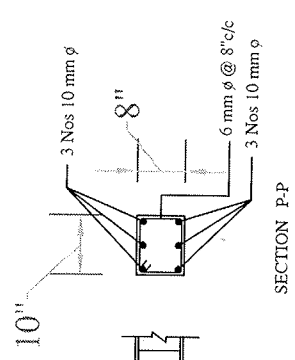
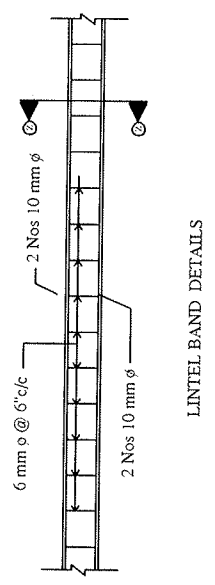
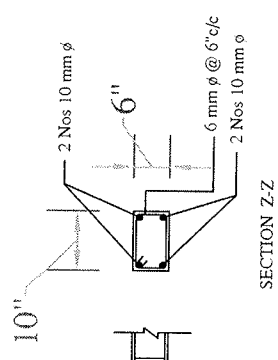
DRAWING FOR CONSTRUCTION OF  
 NEW SCHOOL BUILDING (NSB) UNDER  
 BIHAR EDUCATION PROJECT COUNCIL

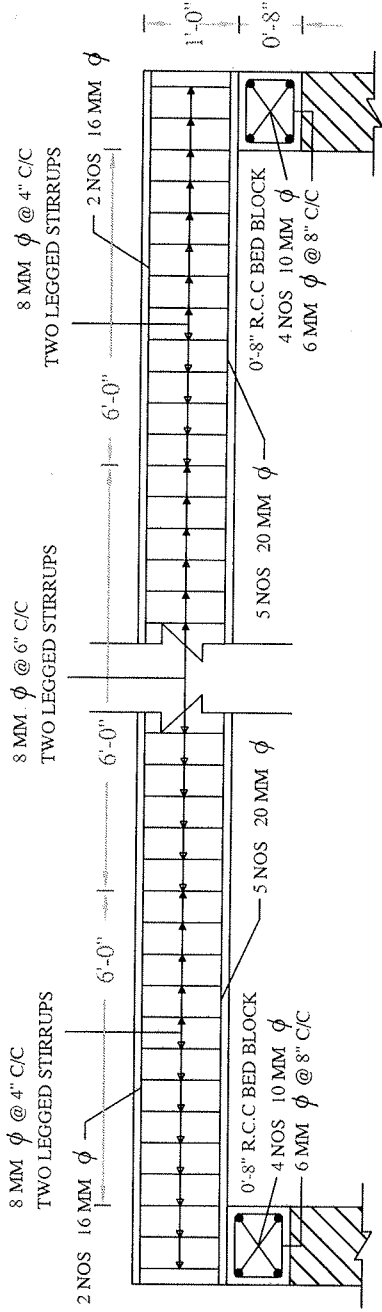
DRAWING SHEET NO :-6  
 SCALE :- N T S

*[Signature]*  
 JE  
 BEPC PATNA

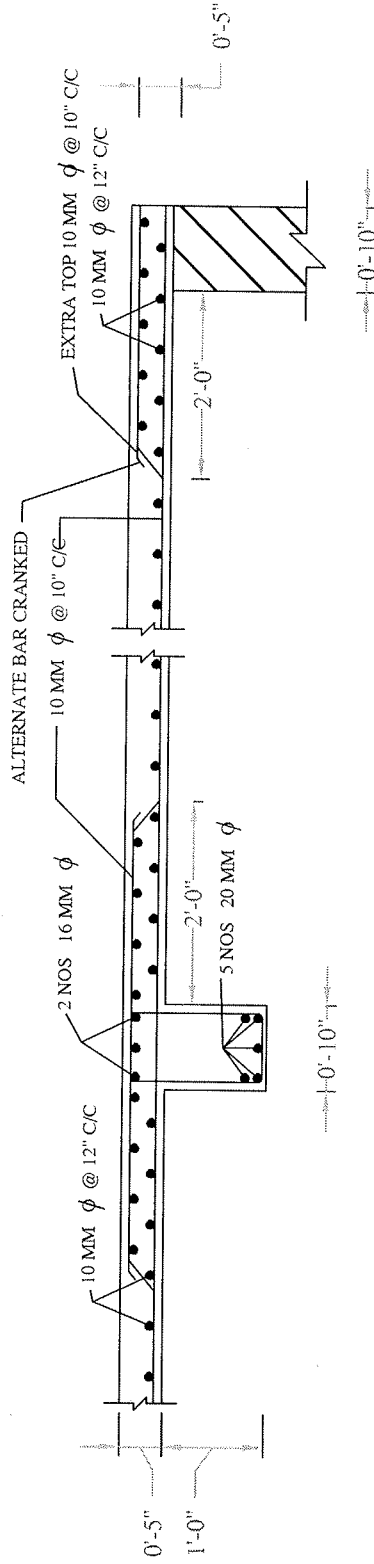
EE  
 BEPC PATNA

C.W.M  
 BEPC PATNA





### BEAM SECTION



### SLAB SECTION

## SLAB AND BEAM REINFORCEMENT DETAILS

DRAWING FOR CONSTRUCTION OF  
NEW SCHOOL BUILDING (NSB) UNDER  
BIHAR EDUCATION PROJECT COUNCIL

DRAWING SHEET NO :- 7

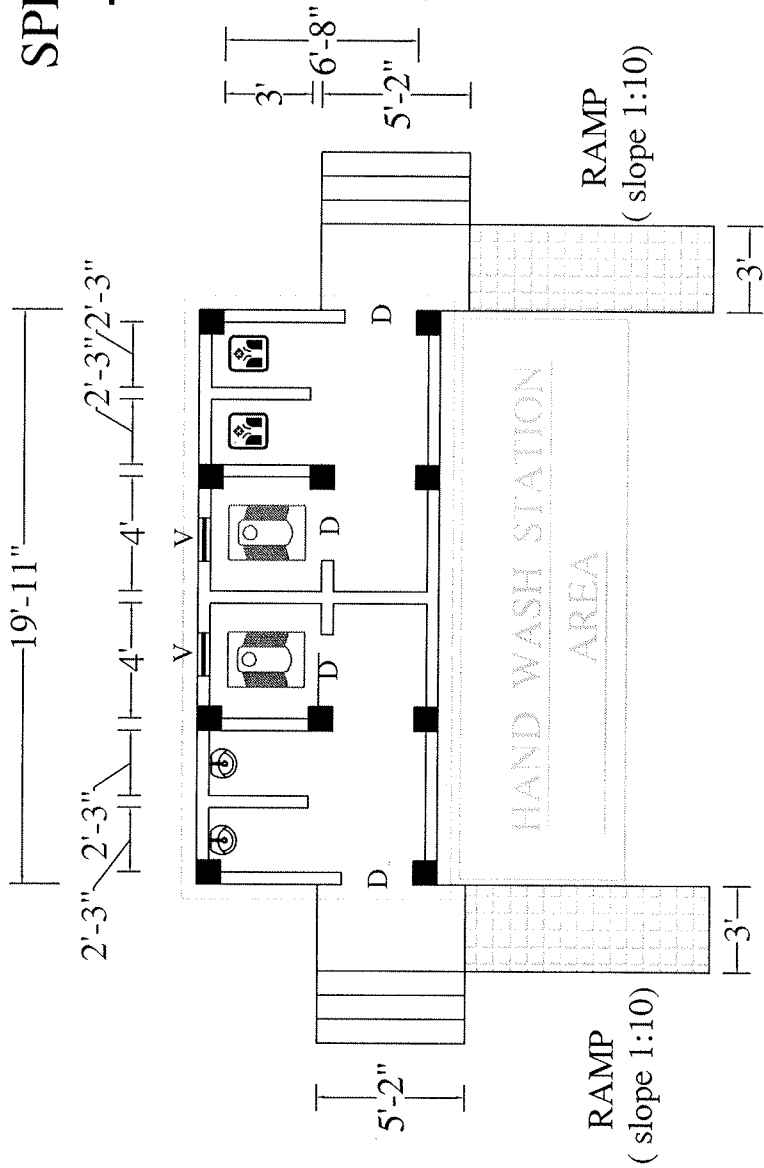
SCALE :- N T S

*S.P.*  
JE  
BEPC PATNA

EE  
BEPC PATNA

C.W.M  
BEPC PATNA

# PLAN OF TWO UNIT TOILET WITH URINAL



## SPECIFICATION--

**TOILET SIZE = 4'0" X 3'10" (EACH)**

**URINAL SIZE = 2'3" X 3'5" (EACH)**

**PLINTH HEIGHT = 1'6"**

**ROOF HEIGHT = 7'8"**

**WALL THICKNESS = 0'5"**

**PLINTH AREA = 165.97 Sft**

**ROOF AREA = 195.22 Sft**

### OPENINGS:-

- i) Door (D) = 2'-6" x 7'-0"
- ii) Ventilation (V) = 1'-6" x 0'-8"

■ Brick work = 0'-10" x 0'-10"

STUB  
FOUNDATION

DRAWING FOR CONSTRUCTION OF  
TWO UNIT TOILET WITH URINAL UNDER  
BIHAR EDUCATION PROJECT COUNCIL

DRAWING SHEET NO :- 1

SCALE :- N T S

S.P.B  
JE  
BEPC PATNA

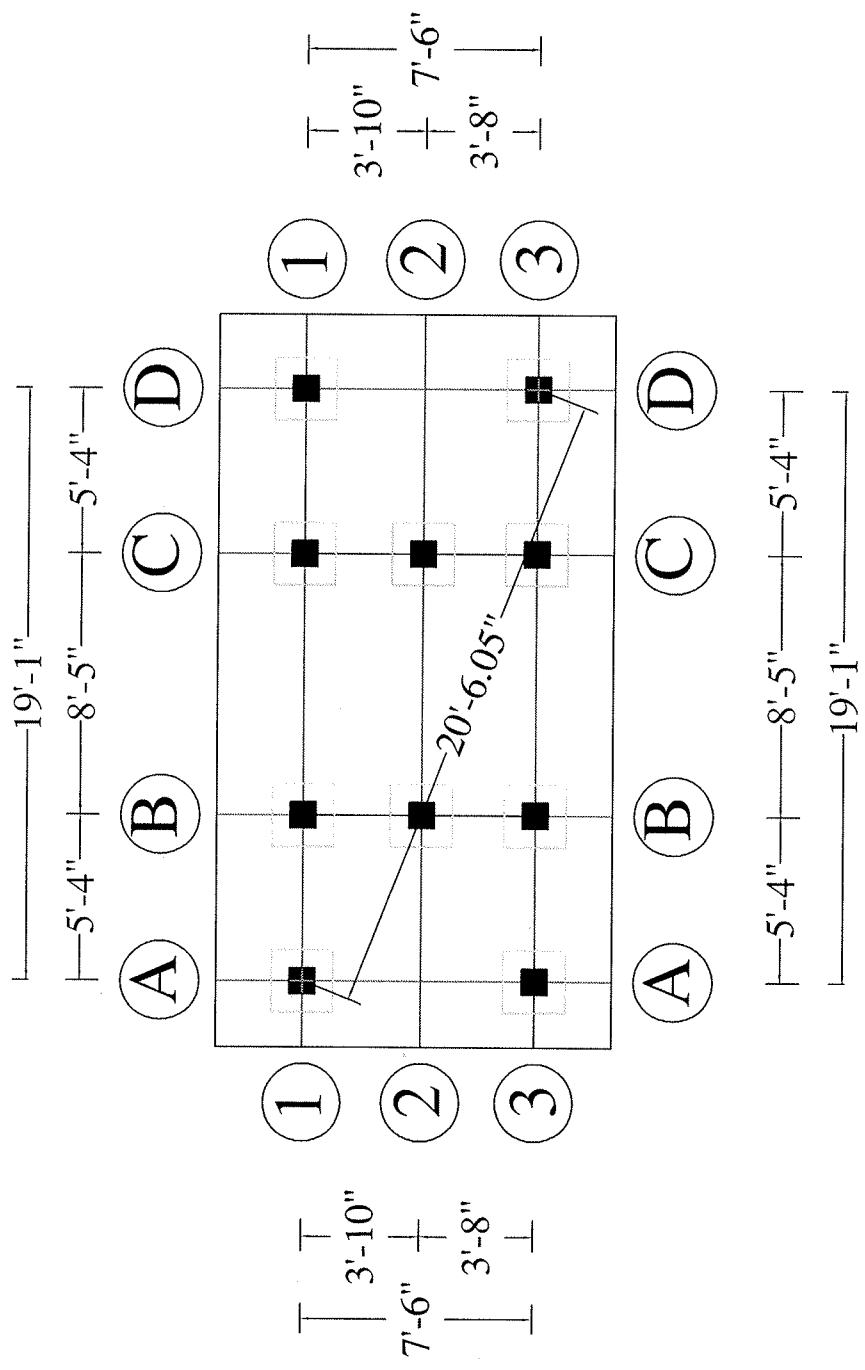
EE  
BEPC PATNA

C.W.M  
BEPC PATNA

252  
324



LAYOUT PLAN OF TWO UNIT TOILET WITH URINAL



STUB  
FOUNDATION

DRAWING FOR CONSTRUCTION OF  
TWO UNIT TOILET WITH URINAL UNDER  
BIHAR EDUCATION PROJECT COUNCIL

DRAWING SHEET NO :- 2

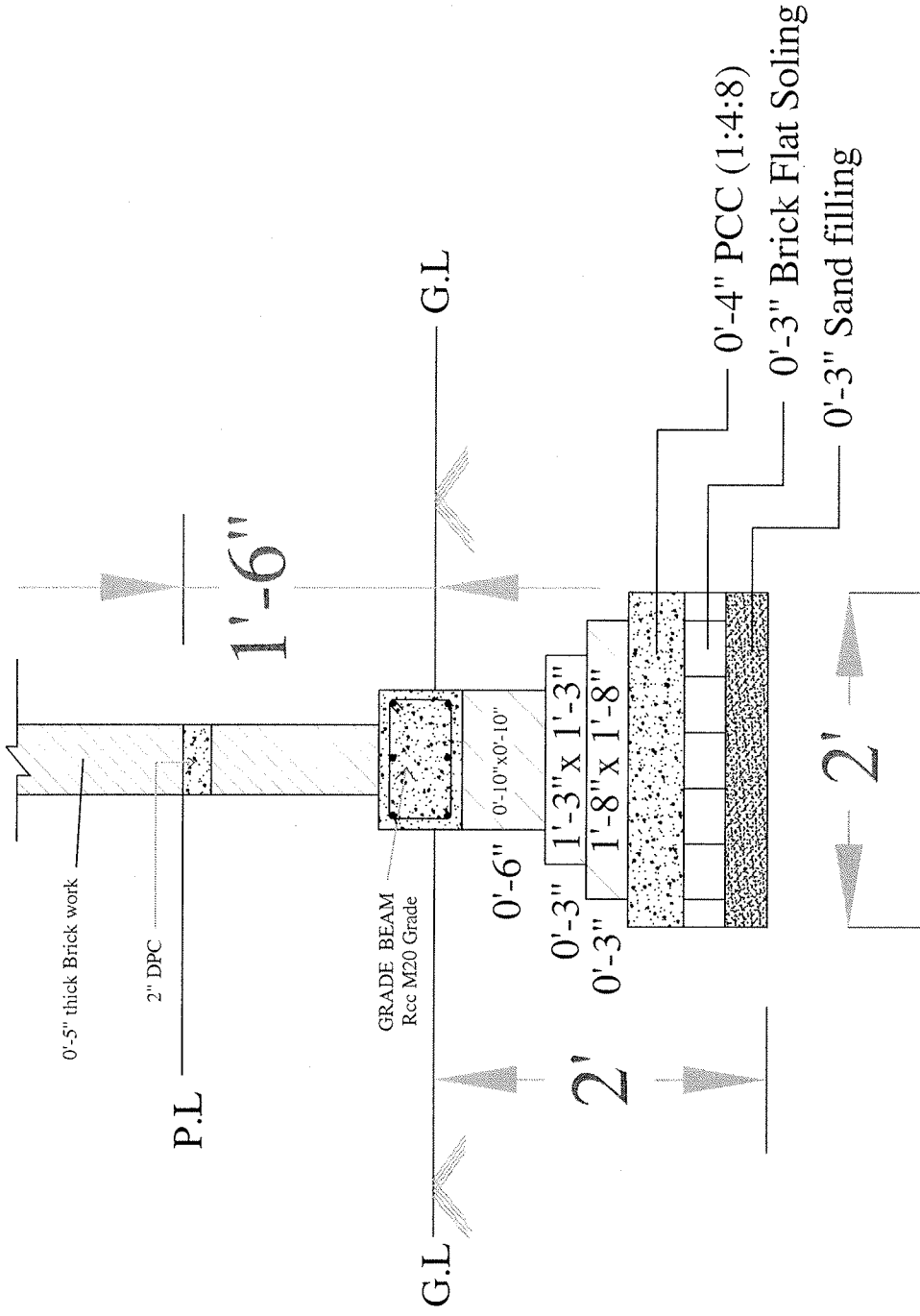
SCALE :- N T S

*[Signature]*  
JE  
BEPC PATNA

EE  
BEPC PATNA

C.W.M  
BEPC PATNA

*[Handwritten marks]*



# STUB FOOTING

# STUB FOUNDATION

DRAWING FOR CONSTRUCTION OF  
TWO UNIT TOILET WITH URINAL UNDER  
BIHAR EDUCATION PROJECT COUNCIL

DRAWING SHEET NO :- 3  
SCALE :- N T S

*[Signature]*  
JE  
BEPC PATNA

*[Signature]*  
EE  
BEPC PATNA

C.W.M  
BEPC PATNA

*[Handwritten marks]*